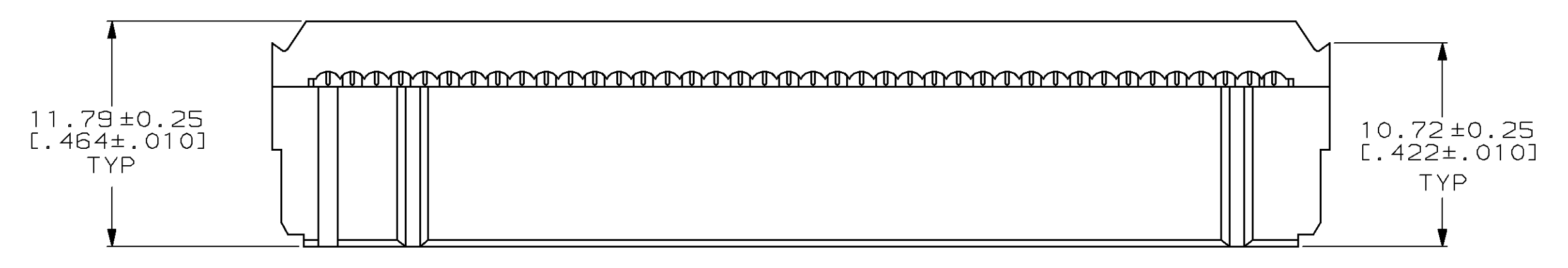
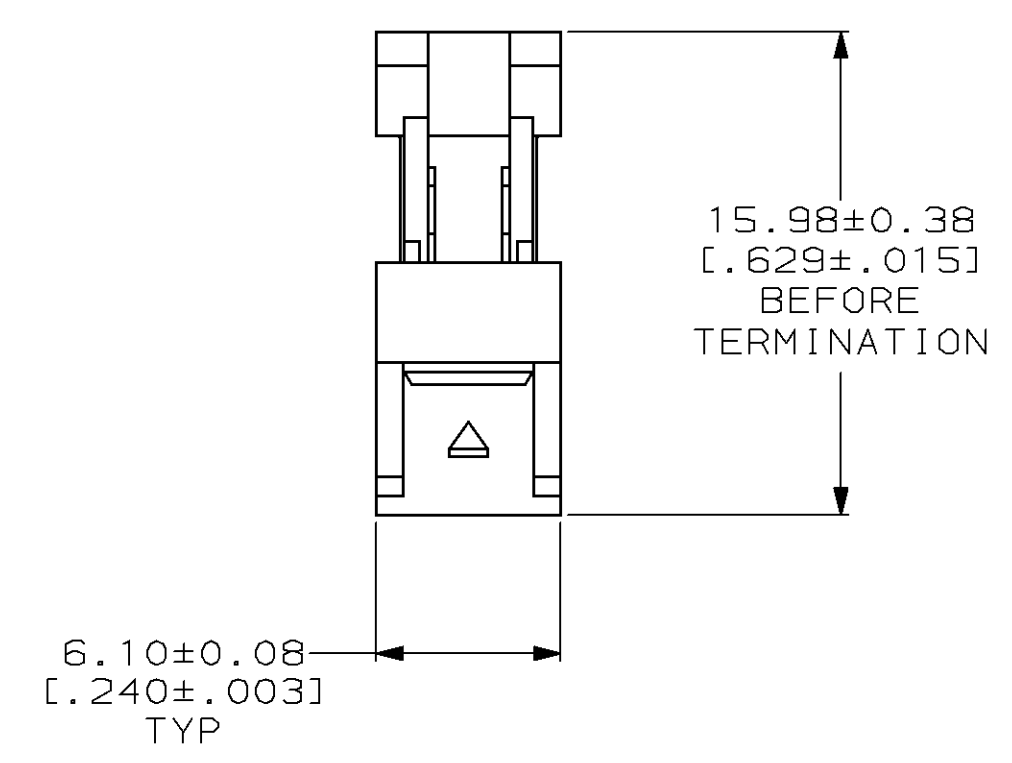
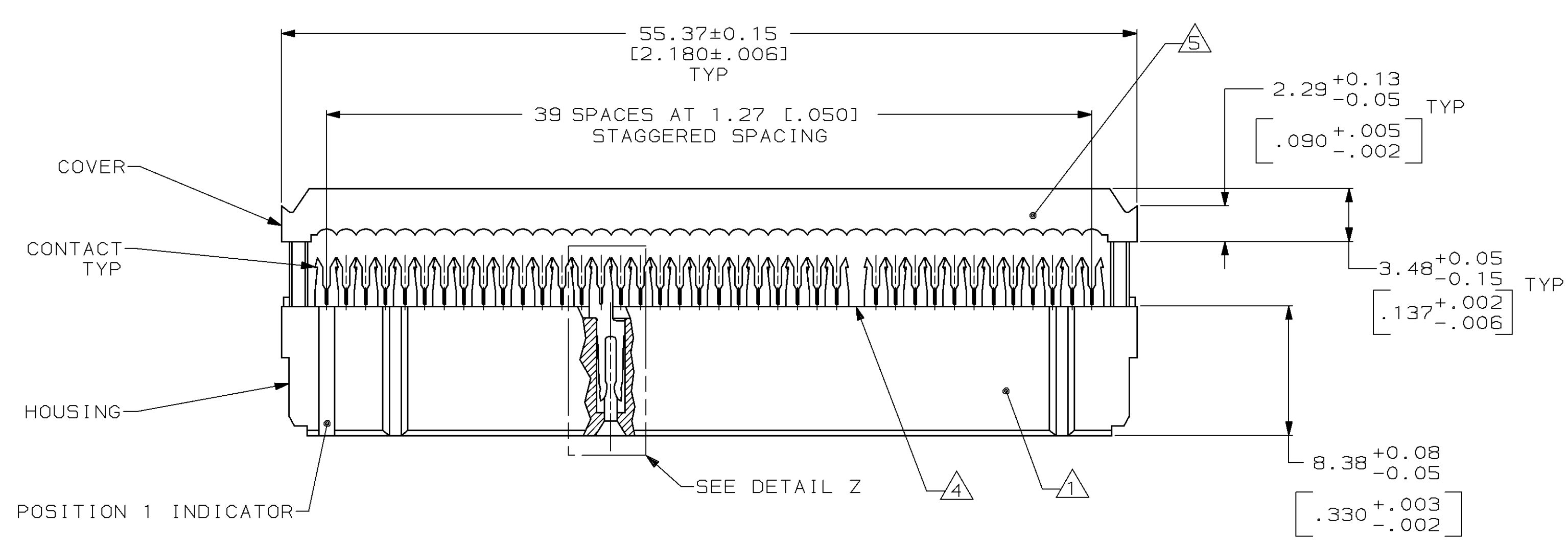
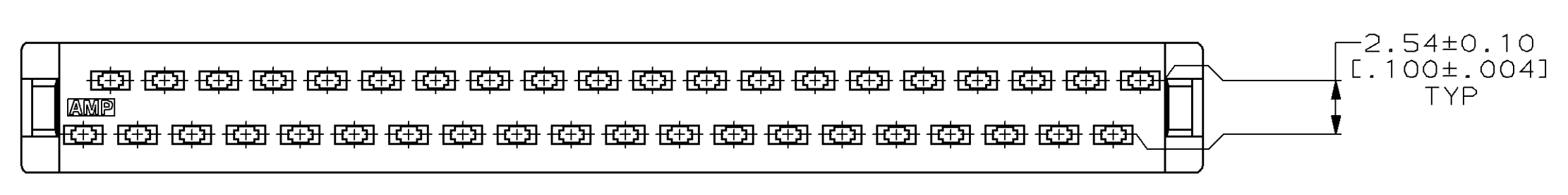
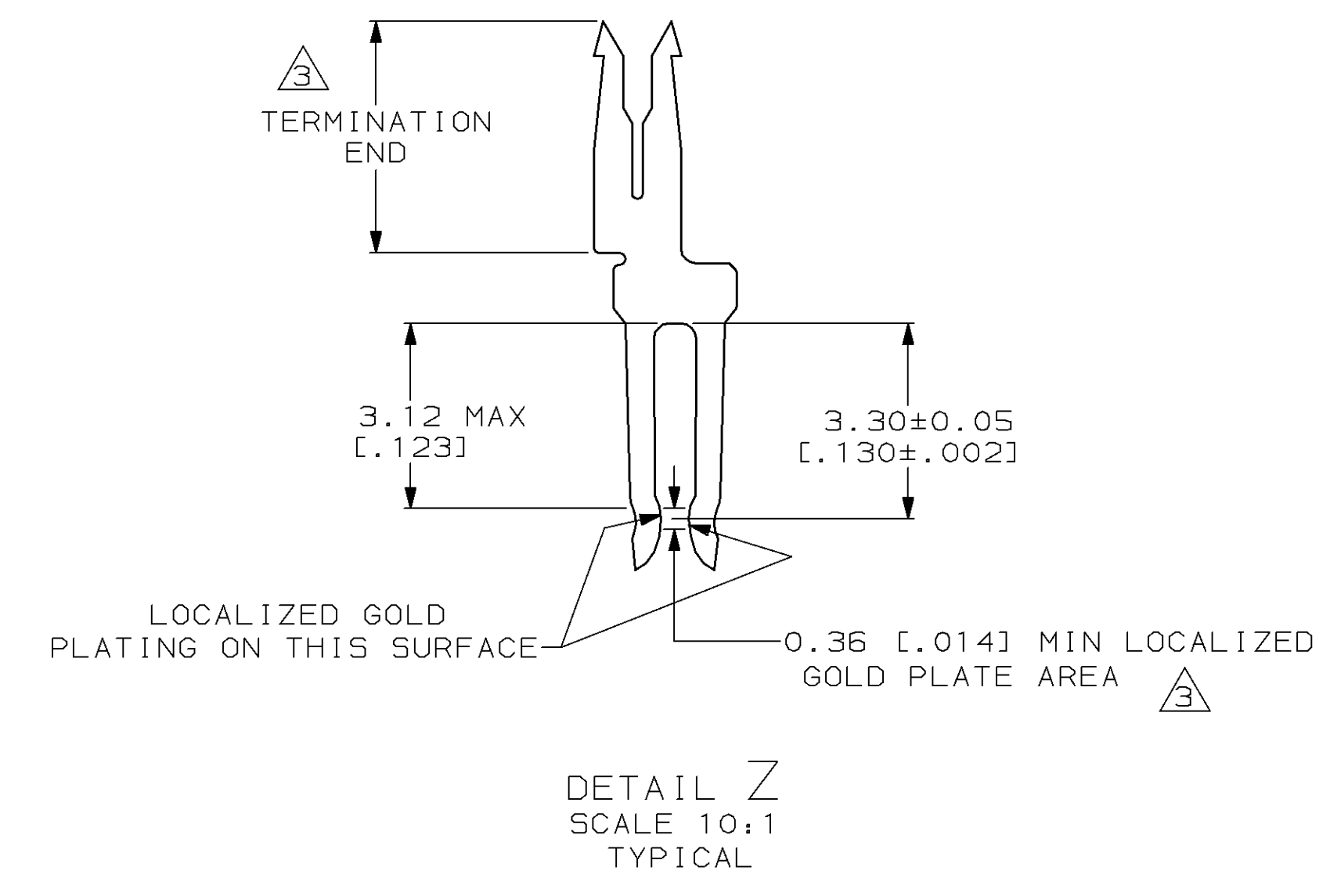


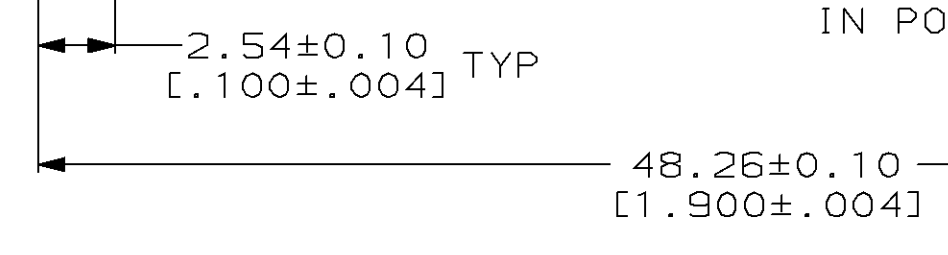
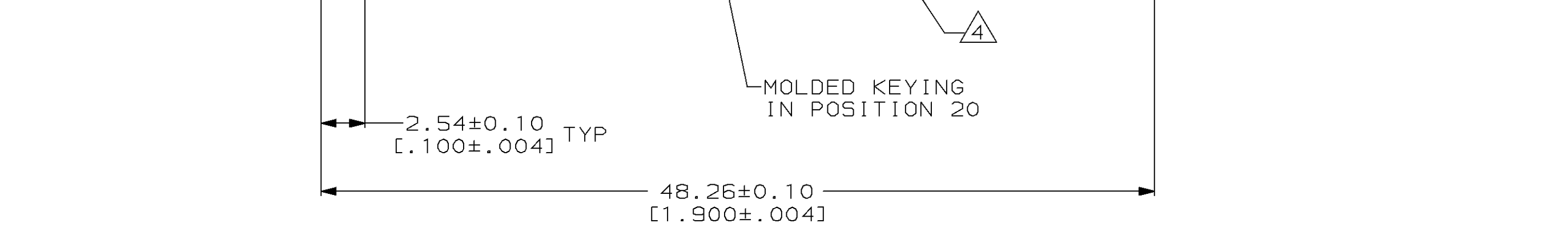
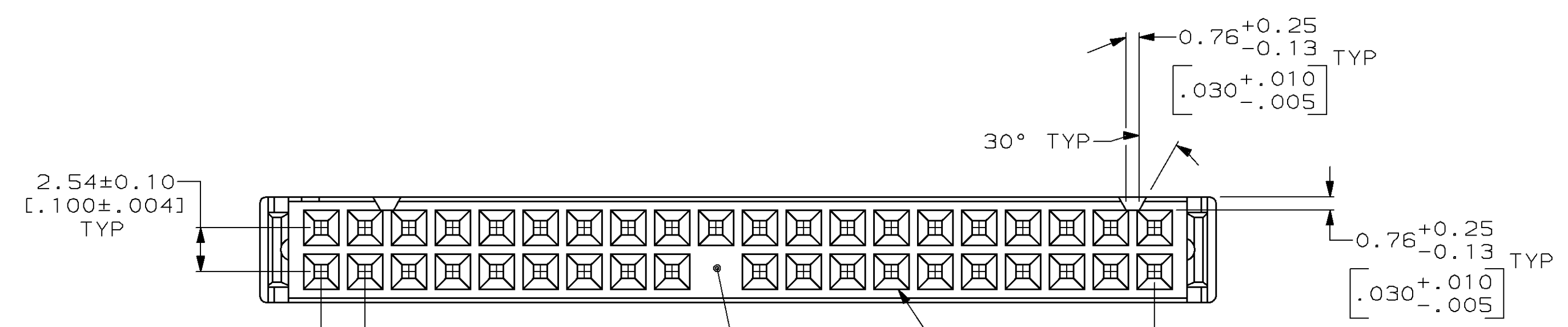
LOC		DIST		P		ZONE		LTR		REVISIONS		
AR	35									DESCRIPTION	DATE	APPD
										0 RLSE PER NPR 5236 WAS 94-5730-19-1	10/07/94	-
										A REV PER EC 0020-0378-95	05/08/95	AM



TERMINATED VIEW



- 1 HOUSING: POLYESTER PBT, BLACK, UL RATED 94V-1 OR BETTER.
- 2 PHOSPHOR BRONZE PER QQ-B-750.
- 3 0.38μm [0.000015] MIN GOLD ON LOCALIZED GOLD PLATE AREA, 2.54μm [0.000100] MIN TIN-LEAD ON TERMINATION END, ALL OVER 1.27μm [0.000050] MIN NICKEL ON ENTIRE CONTACT.
- 4 NO CONTACT IN POSITION 28.
- 5 COVER: POLYESTER PBT, GRAY, UL RATED 94V-1 OR BETTER.



40	111891-1
NO. OF POSN	PART NUMBER

DO NOT SCALE PRINT. UNLESS SPECIFIED DIMENSIONS IN mm [INCHES]		DR 11/17/94 K.FOLTZ		AMP Incorporated Harrisburg, PA 17105-3608	
TOLERANCES: ON ; 2 PLC DEC ± 0.13 [0.005] 3 PLC DEC ± - ANGLES ± 4°		CHK 11/17/94 R.STONE			
MATERIAL		APPD 11/21/94 D.KELLER		NAME	
MOLDED PARTS: 1 5		APPD 4/24/95 A.MCMULLIN		RECEPTACLE ASSEMBLY, MILITARY POLARIZATION, NOVO, AMP-LATCH™	
CONTACTS: 2		PRODUCT SPEC		SIZE	
FINISH		APPLICATION SPEC		CAGE CODE	
CONTACTS: 3		114-40005		DRAWING NO	
WEIGHT -		SCALE 4:1		00779 C-111891	
				SHEET 1 OF 1	

THIS DRAWING IS A CONTROLLED DOCUMENT FOR AMP INCORPORATED. IT IS SUBJECT TO CHANGE AND THE CONTROLLING ENGINEERING ORGANIZATION SHOULD BE CONTACTED FOR THE LATEST REVISION.